

PIPES AND DRAPES SYSTEM MANUAL



TABLE OF CONTENTS

Safety	5
Disposal and Decommissioning	5
Components	6
System Overview	7
Accessories	8
Installation	9
Replacing the knob on an upright or a cross bar	18
Replacing the pin on a cross bar	19
Contact	20

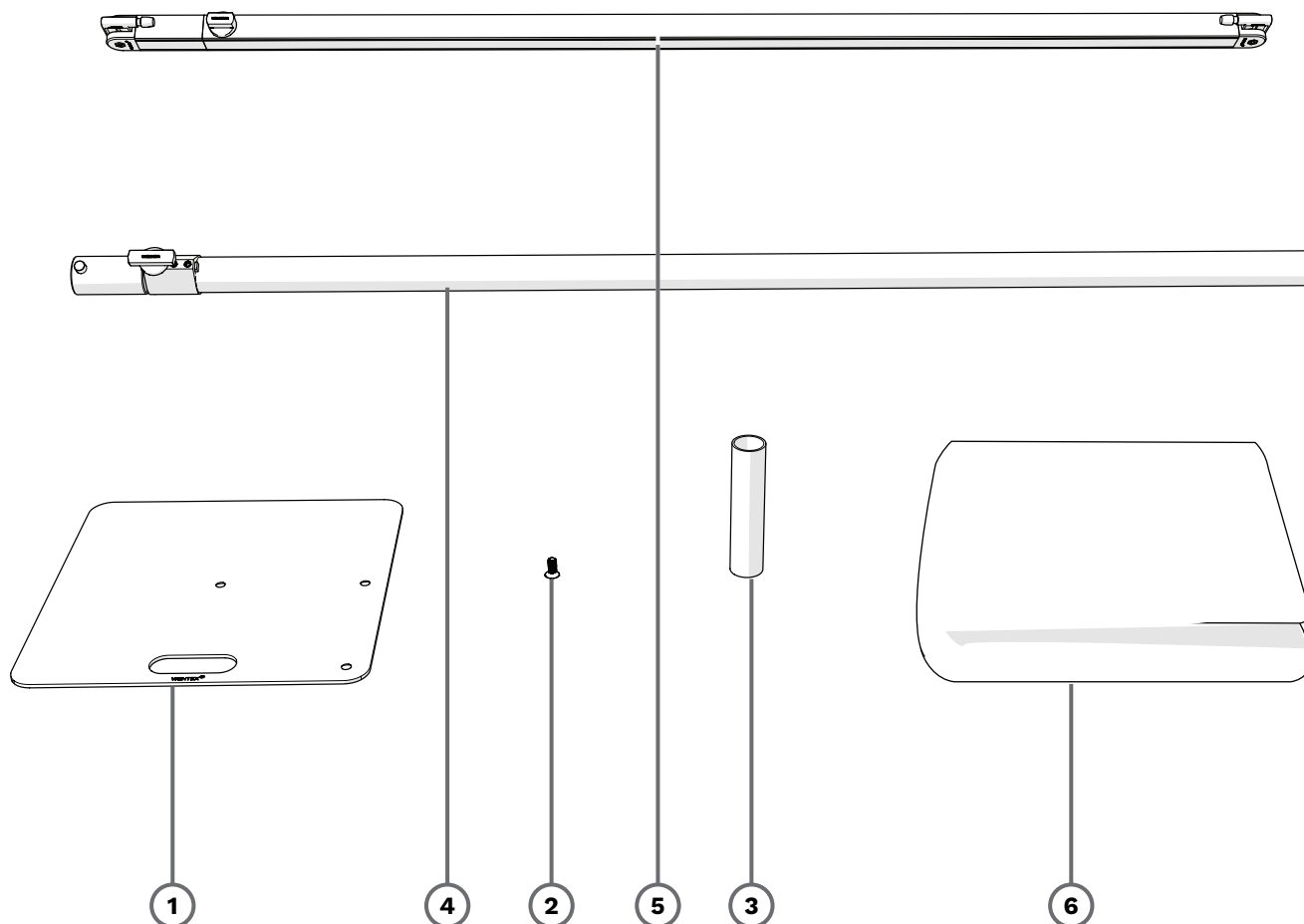
SAFETY

- **WENTEX® Pipes and Drapes is intended for use in draft free indoor spaces only.**
- **Only use the recommended combinations of base plates, pins and uprights.**
- **Always extend the telescopic uprights equally to balance the load.**
- **WENTEX® Pipes and Drapes is a stable system when it stands free, although it is possible that the structure can fall over, e.g. when someone runs into it. When possible, anchor WENTEX® Pipes and Drapes to a wall or another stable structure to prevent this.**

DISPOSAL AND DECOMMISSIONING

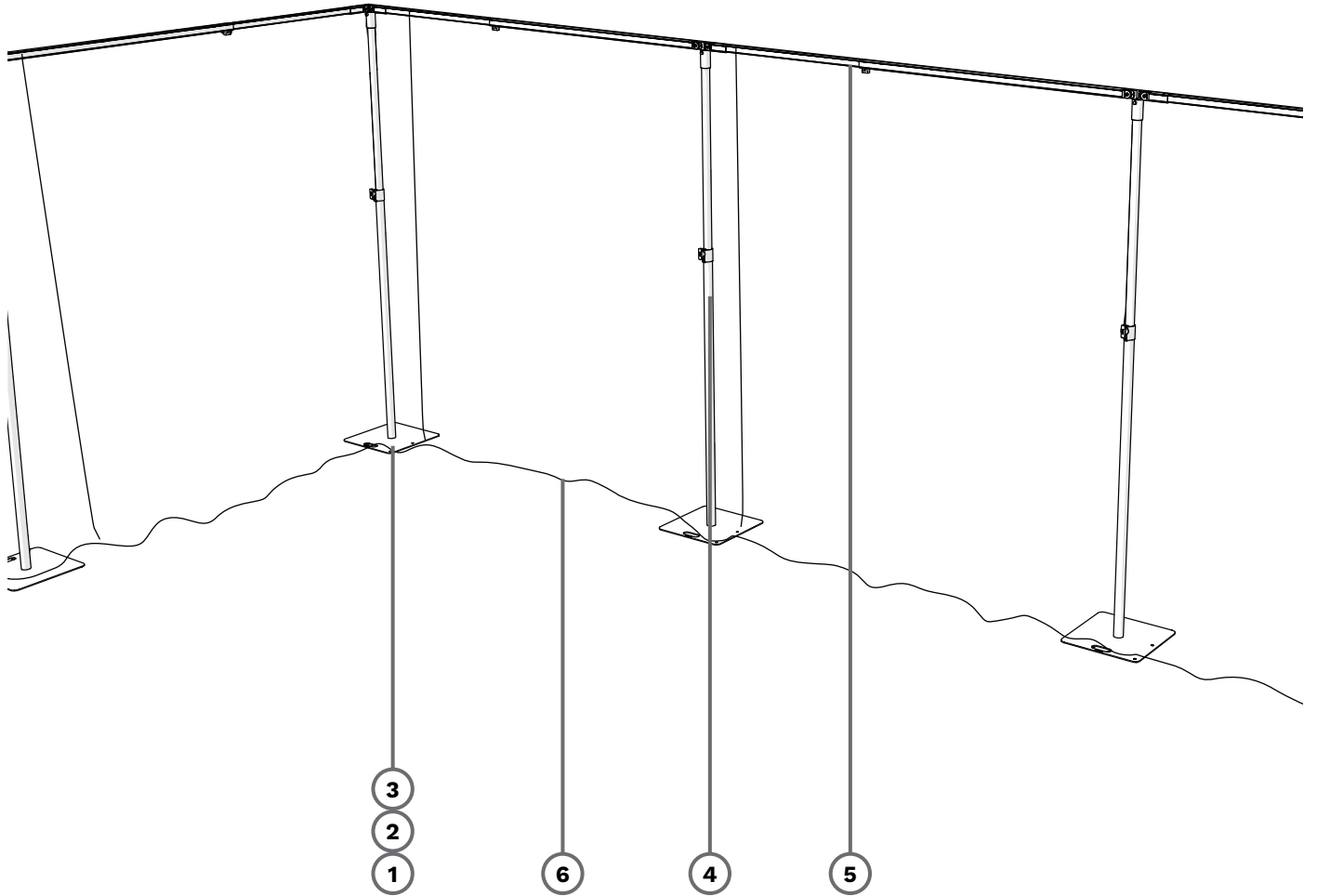
Always adhere to local laws and regulations when disposing and decommissioning WENTEX® products.

COMPONENTS

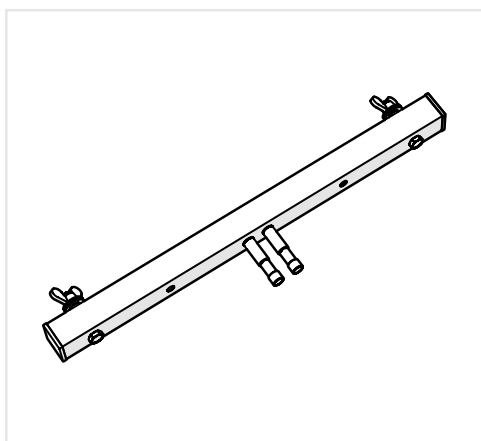


- 1 Base plate** 350 × 300 mm (14 × 12") / 450 × 450 mm (18 × 18") / 600 × 600 mm (24 × 24")
Truss Base plate 600 × 600 mm (24 × 24") / 800 × 800 mm (36 × 36")
- 2 Bolt**
- 3 Pin** 100 mm (4") / 200 mm (8") / 400 mm (16")
- 4 Upright** fixed 100 cm (40") / 120 cm (4')
telescopic 120 - 180 cm (4' - 6') / 180 - 250 cm (6' - 8') / 180 - 300 cm (6 - 10') /
180 - 420 cm (6 - 14') / 180 - 500 cm (6' - 16')
- 5 Cross bar** telescopic 90 - 120 cm (3' - 4') / 120 - 180 cm (4' - 6') / 180 - 300 cm (6' - 10')
- 6 Drapes** h × w: 250 × 330 cm (8 × 11') / 300 × 330 cm (10 × 11') / 400 × 330 cm (14 × 11') /
500 × 330 cm (16 × 11')

SYSTEM OVERVIEW



ACCESSOIRES



T-bar

INSTALLATION

- 1 Select the correct combination of base plates, pins and uprights.

base plate 350 × 300 mm
(14 × 12")



pin 100 mm
(4")



upright fixed 100 mm (4") / telescopic
120 - 180 cm (4 - 6')

base plate 450 × 450 mm
(18 × 18")



pin 200 mm
(8")



upright telescopic 120 - 180 cm (4 - 6')
/ 180 - 300 cm (6' - 10')

base plate 600 × 600 mm
(24 × 24")



pin 400 mm
(16")



upright telescopic 180 - 300 cm (6' -
10') / 180 - 420 cm (6 - 14')

base plate 800 × 800 mm
(36 × 36")

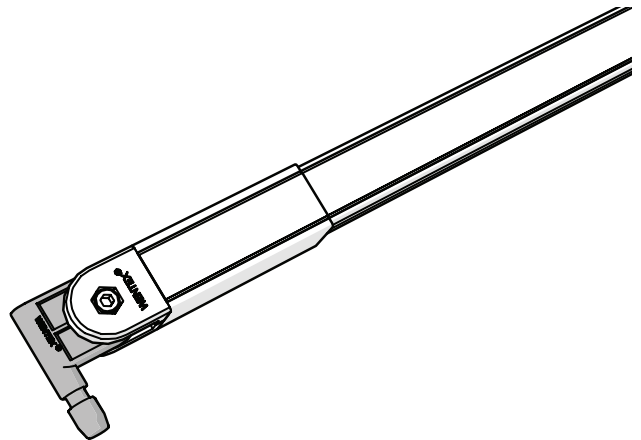
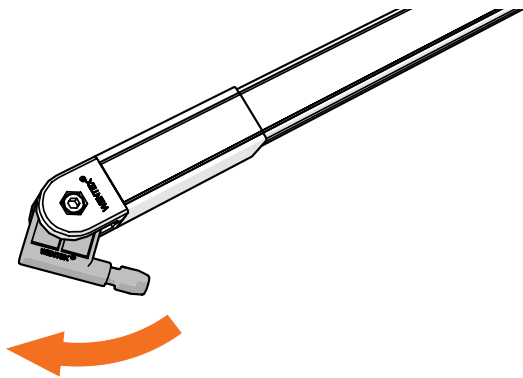
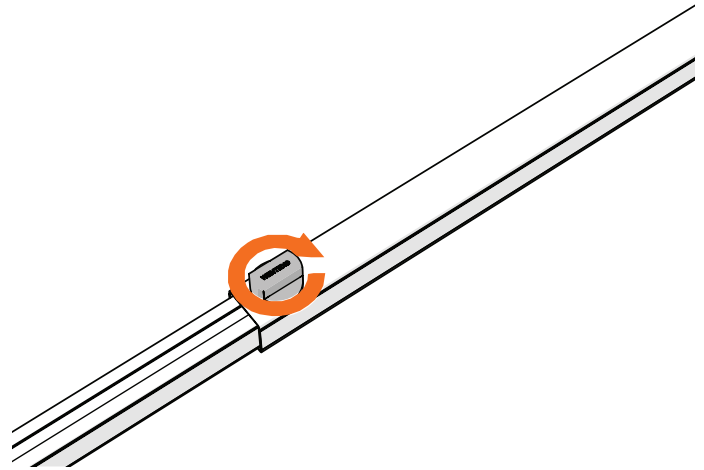
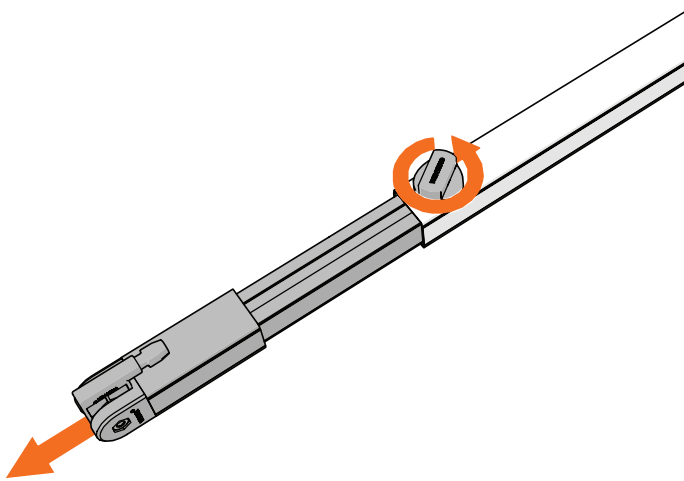
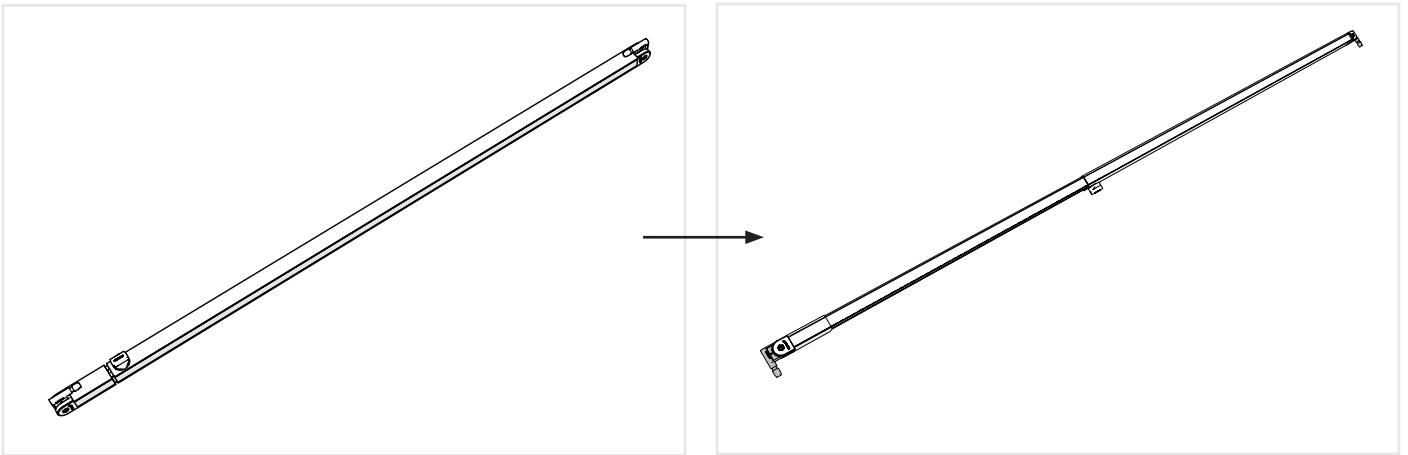


pin 400 mm
(16")

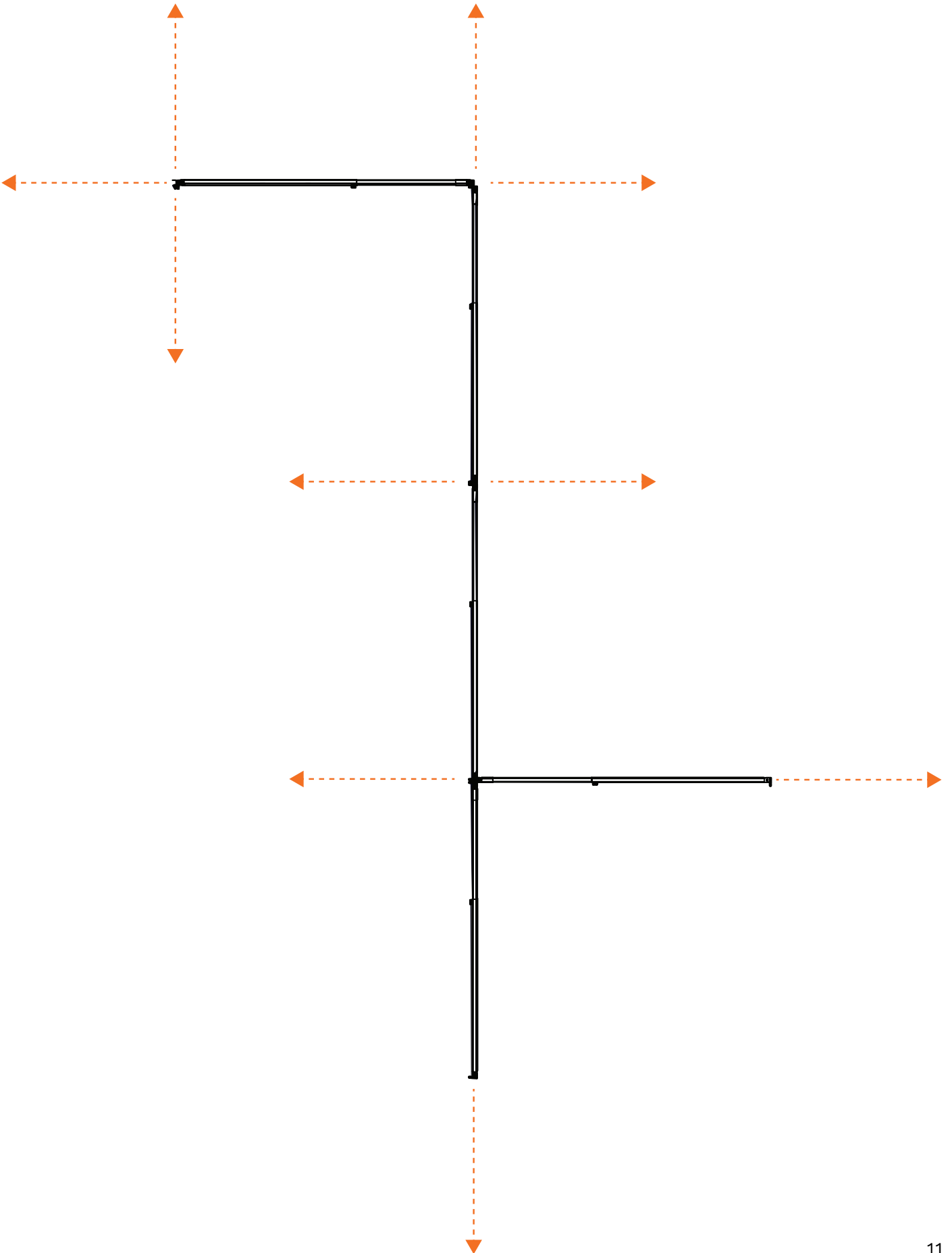


upright telescopic 180 - 420 cm (6 - 14')
/ 180 - 500 cm (6' - 16')

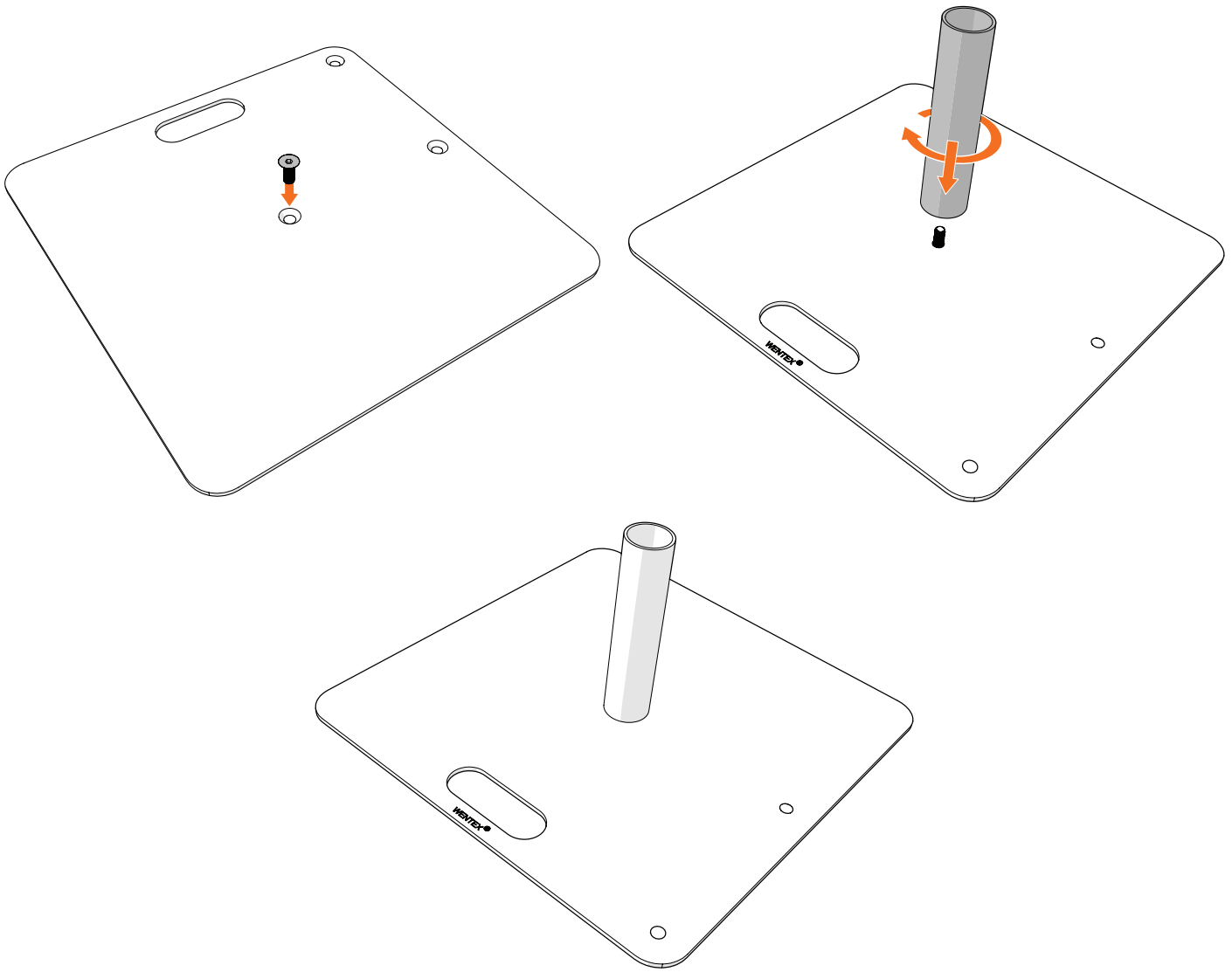
2 Prepare the cross bars.



3 Position the cross bars on the floor.

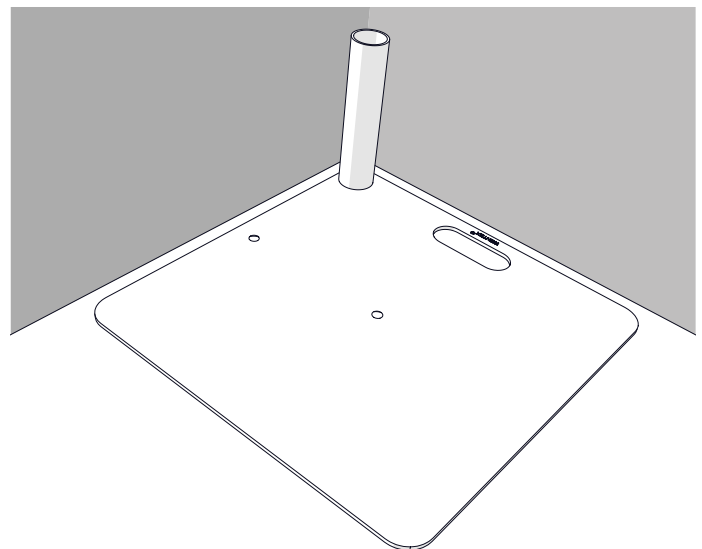
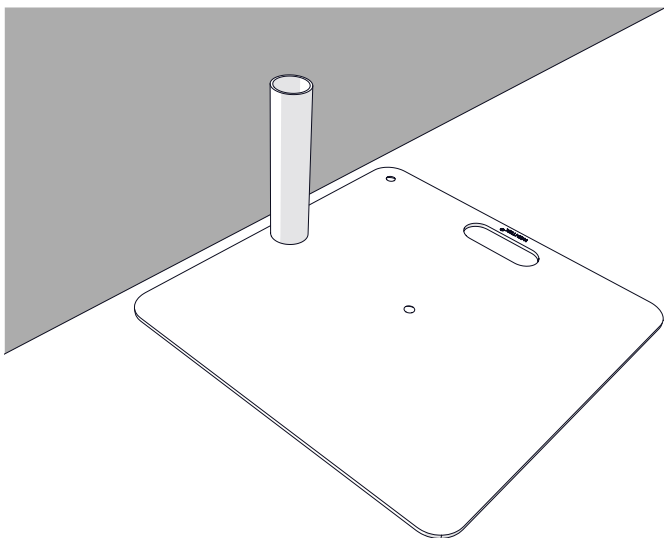


4 Assemble the base plates and the pins.

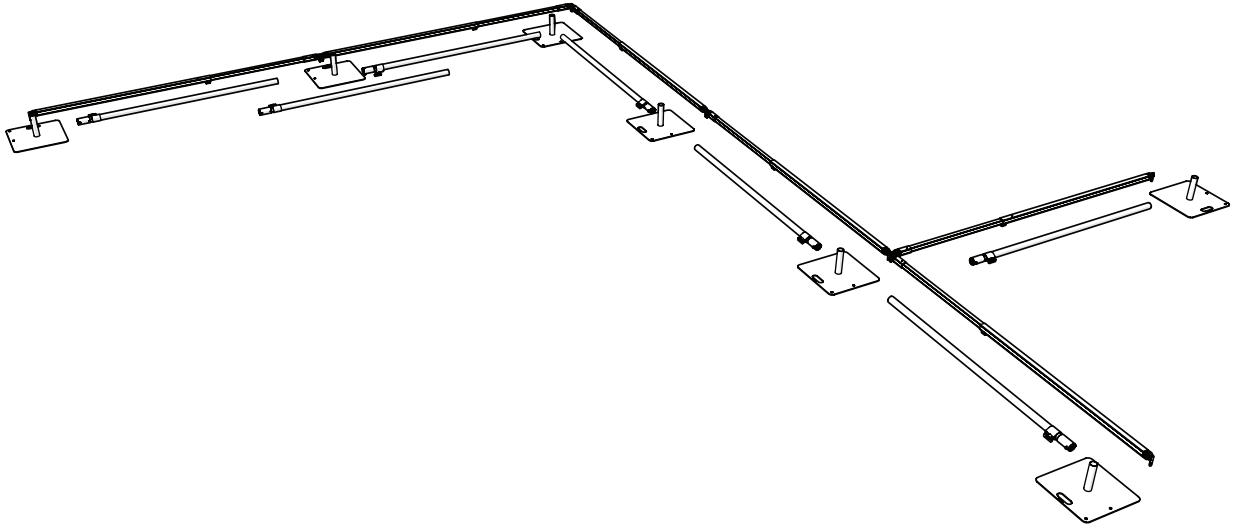


 Pipes and Drapes against a wall.

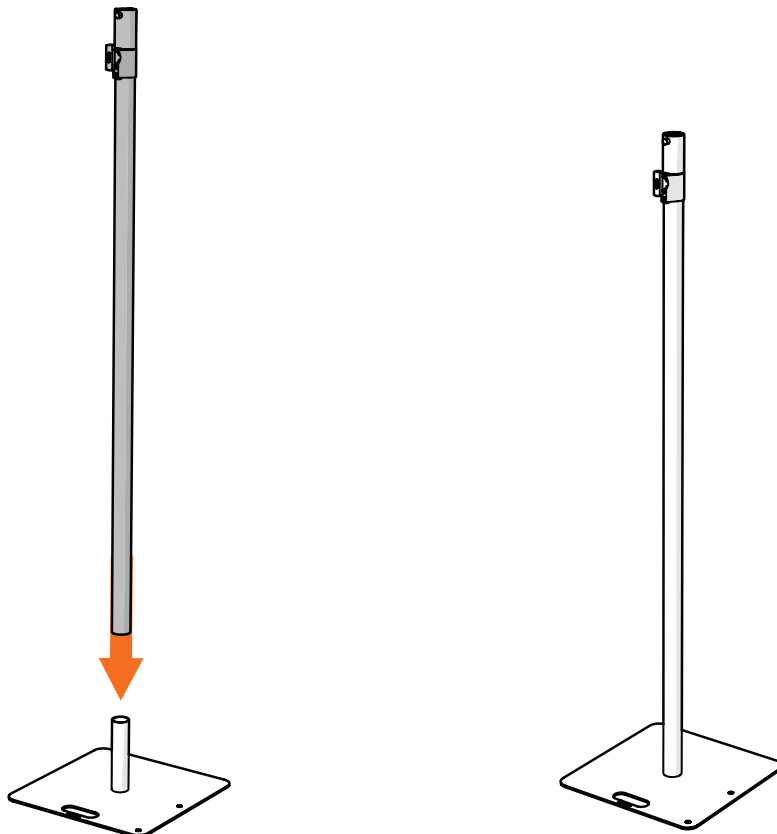
 Pipes and Drapes in a corner.



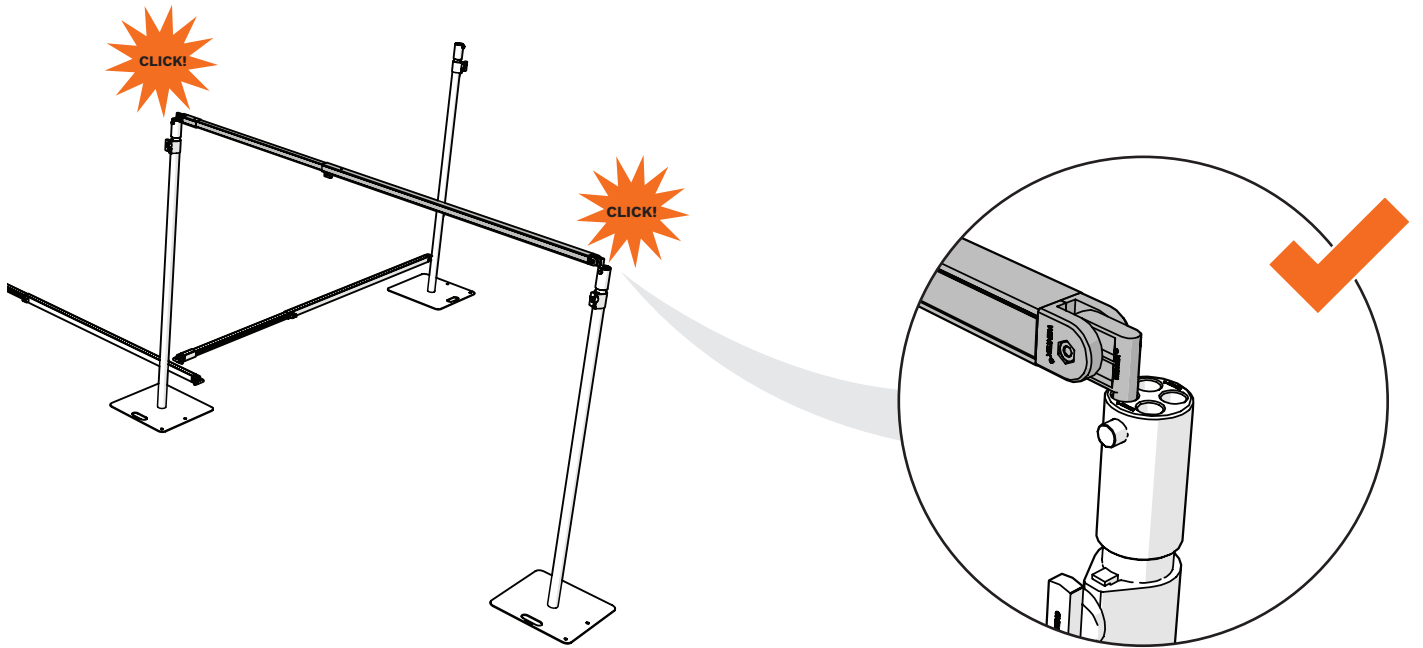
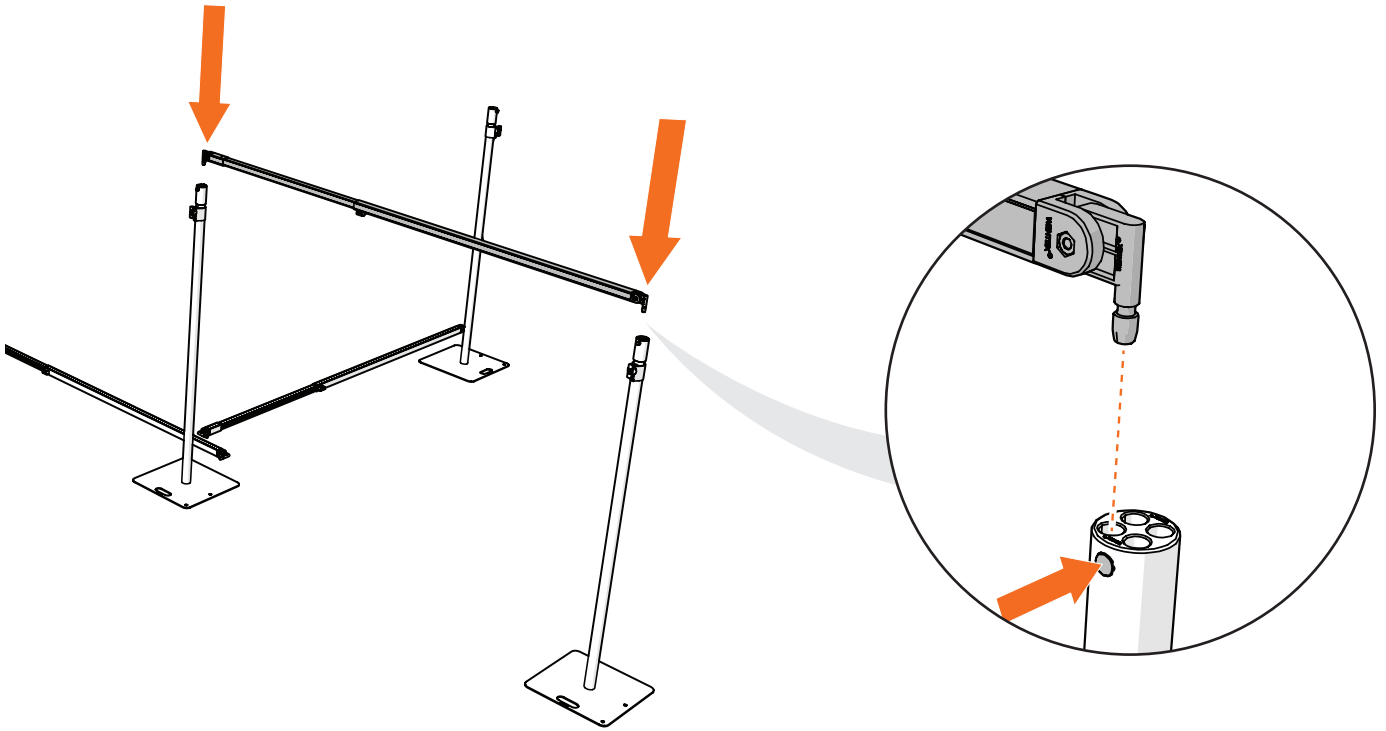
- 5 Position the uprights and the assembled base plates and pins next to the cross bars on the floor.

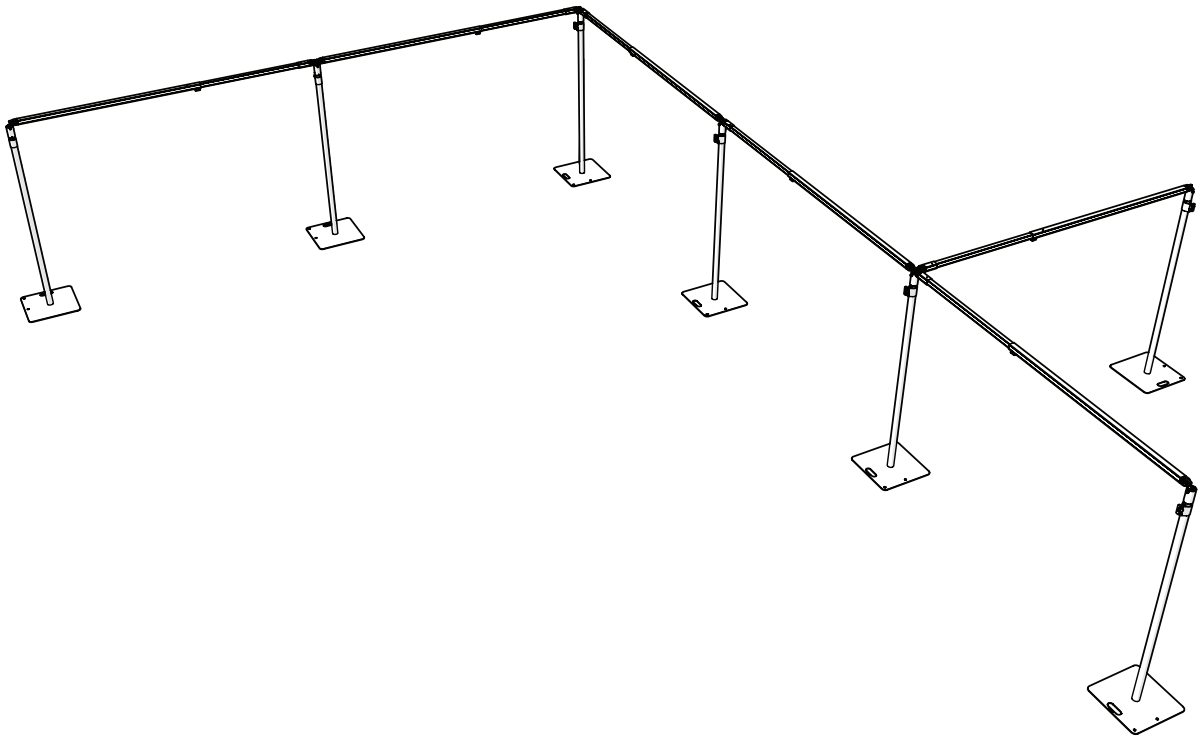


- 6 Place the uprights over the pins.

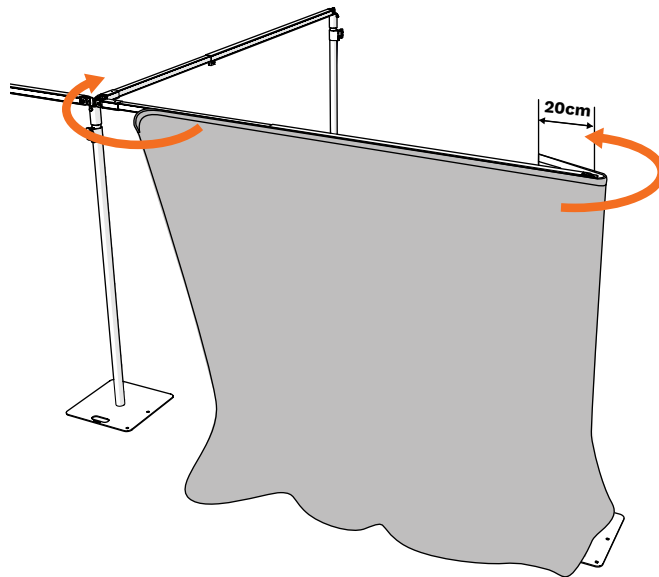


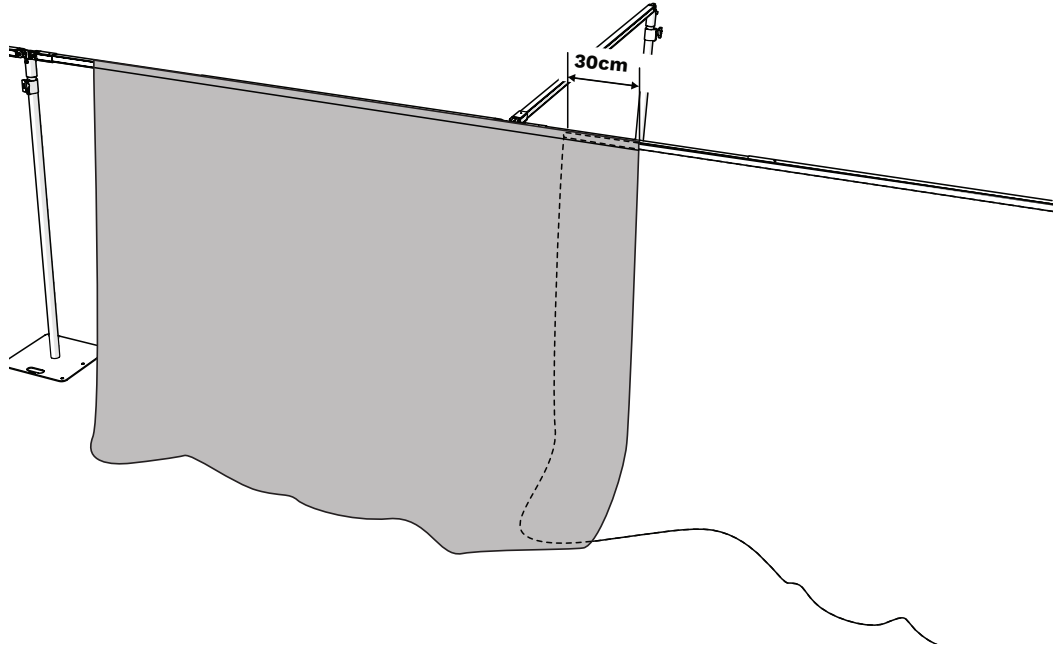
7 Mount the cross bars.



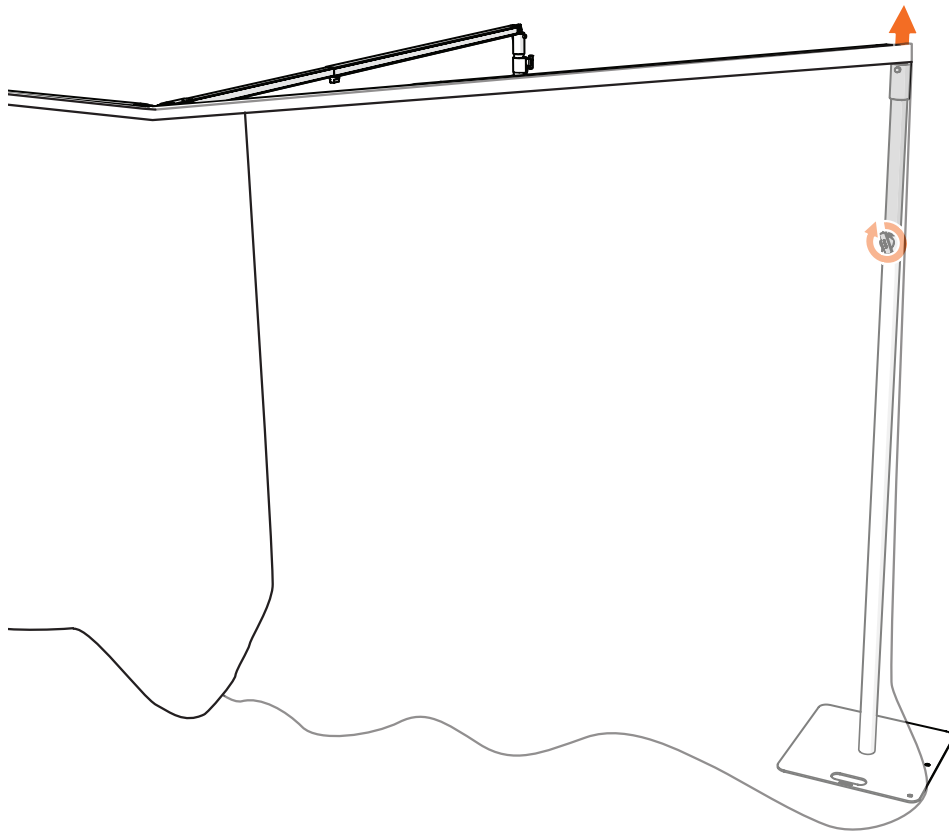


8 Affix the curtains.

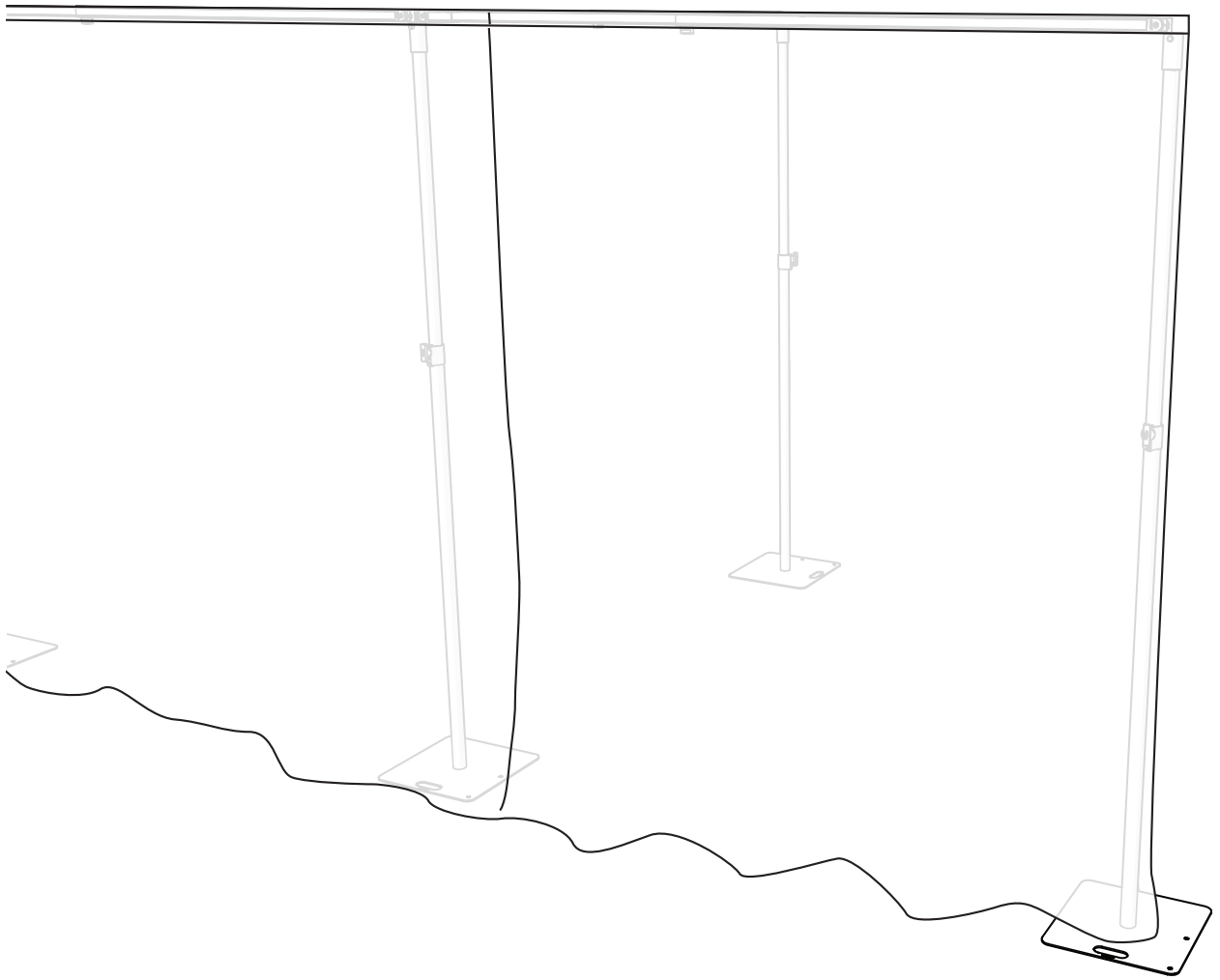





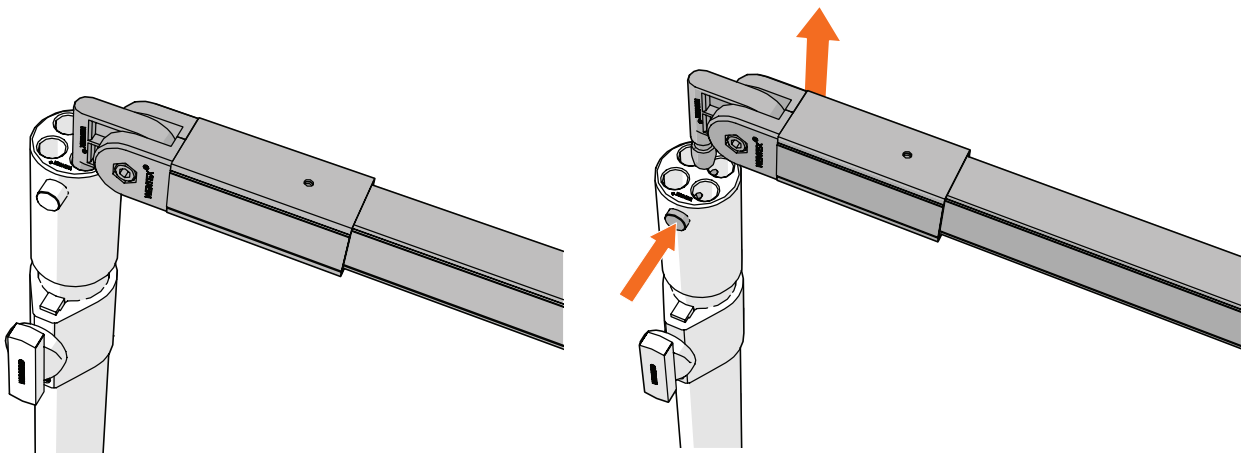
9 Extend the telescopic uprights.



 **Always extend the telescopic uprights equally to balance the load.**

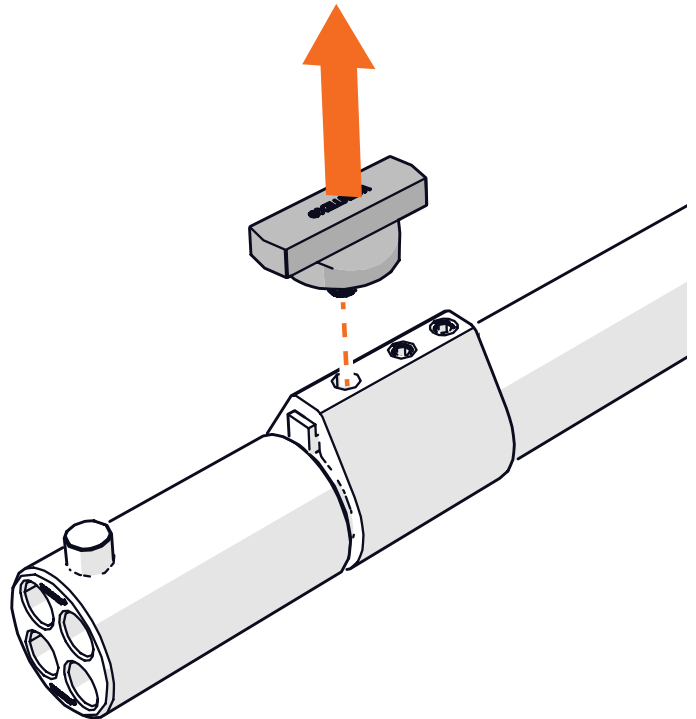
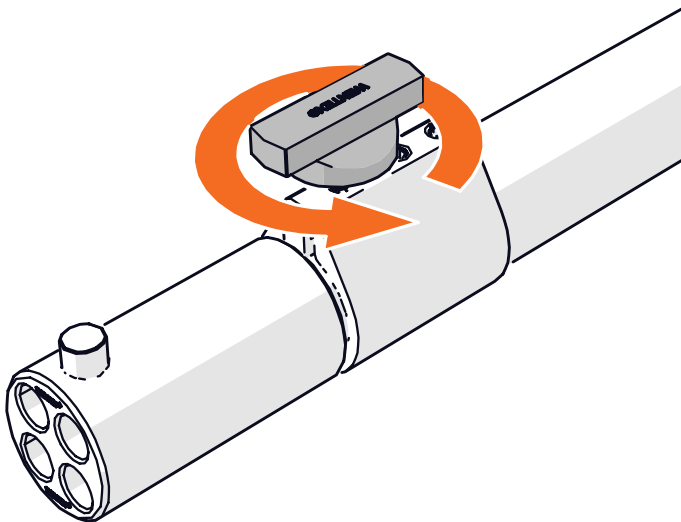


 Use the button to unlock the cross bars when removing Pipes and Drapes.

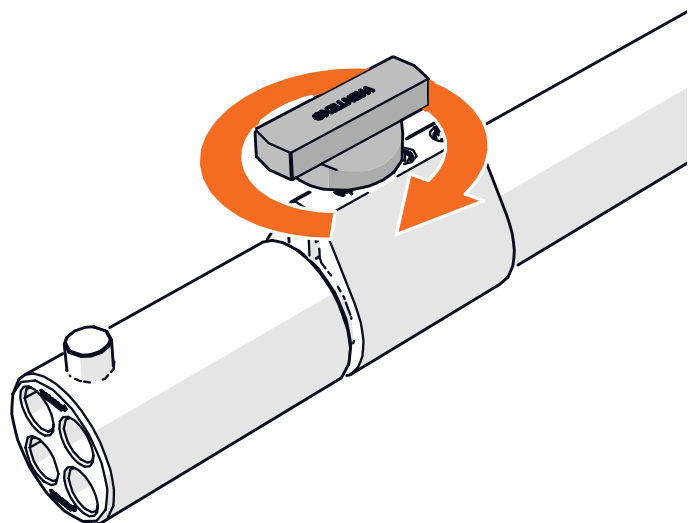
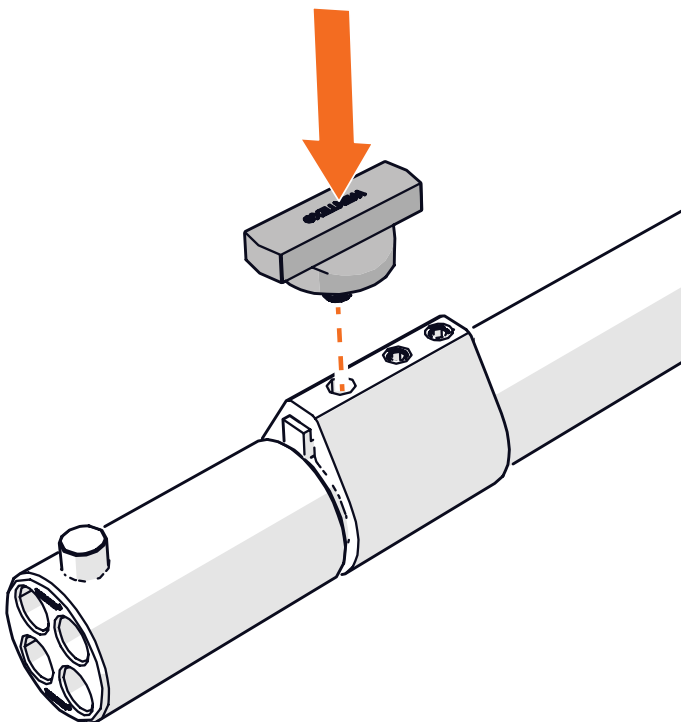


REPLACING THE KNOB ON AN UPRIGHT OR A CROSS BAR

- 1 Remove the old knob.

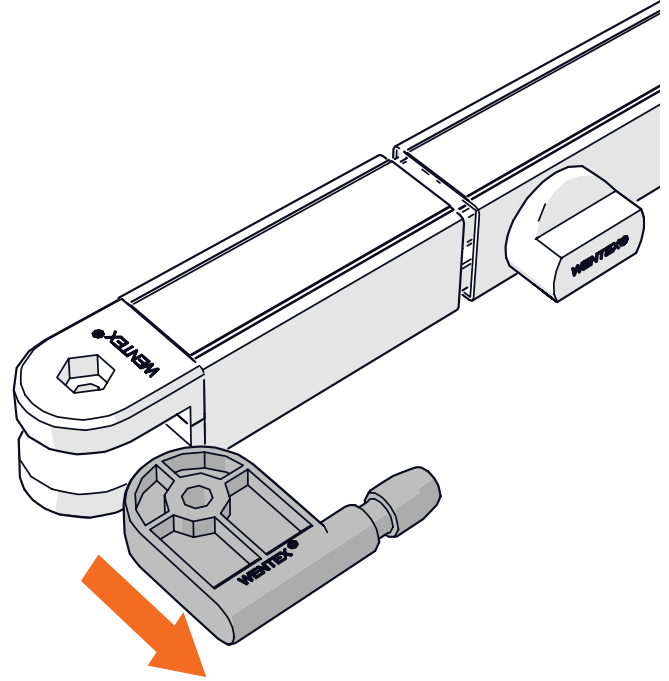
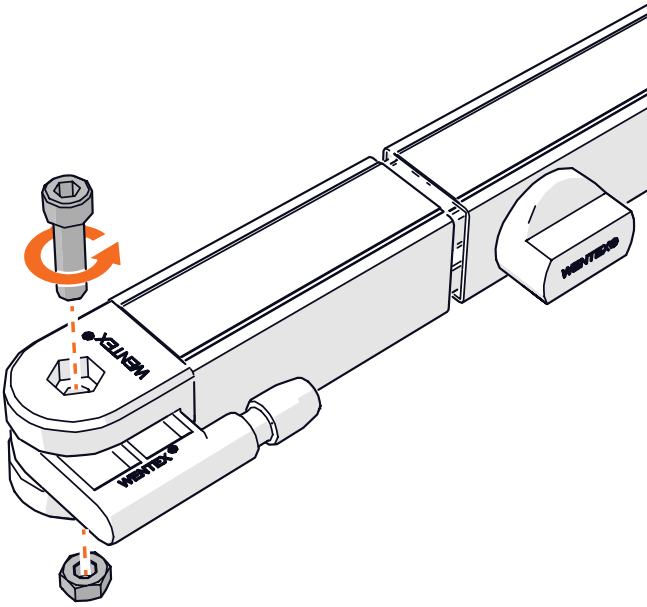


- 2 Install the new knob.

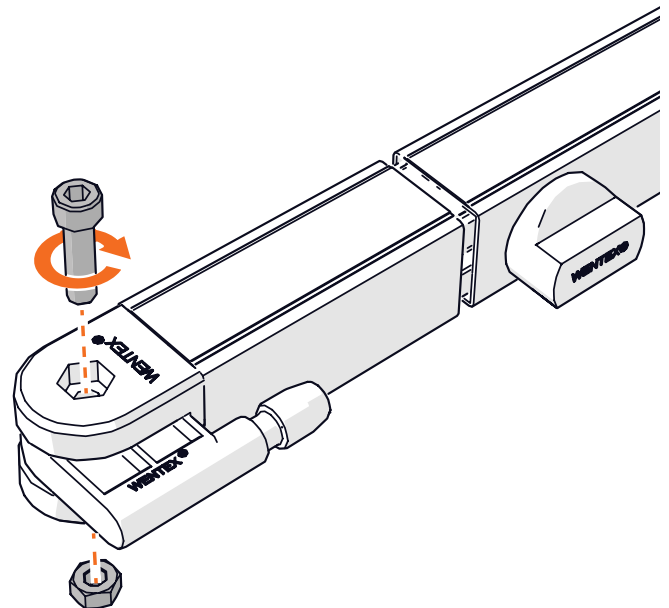
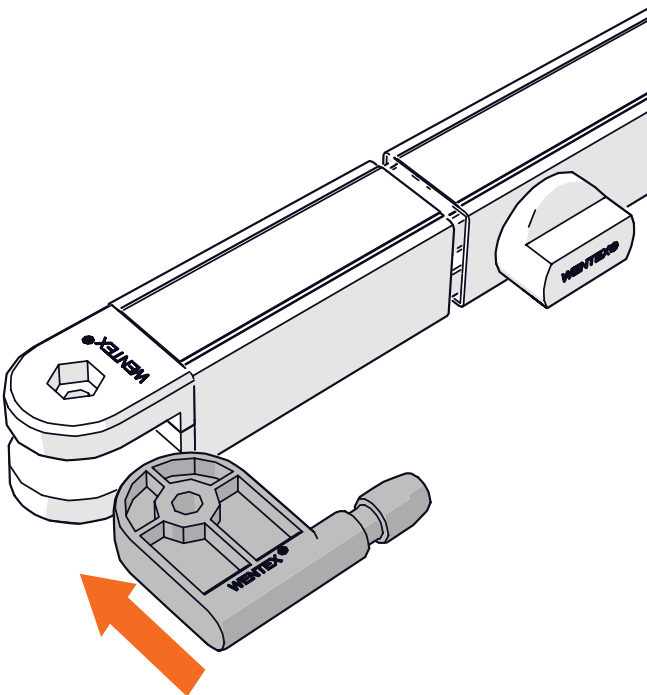


REPLACING THE PIN ON A CROSS BAR

- 1 Use Allen key 6 to remove the old pin.



- 2 Use Allen key 6 to install a new pin.



CONTACT

WENTEX® International B.V.
Italiëlaan 4
2391 PT Hazerswoude-Dorp
The Netherlands

E: info@wentex.eu

W: www.wentex.eu